

Viasat Products Manual – AZ/EL

Summary

The following information discusses the Viasat components used in providing Internet service.

This Job Aid covers:

[AZ/EL](#)

This job aid supports all audiences.

AZ/EL

The 2005 ODU AZ/EL assembly works with a plate-type of adjustment, while the 2009 ODU and the VS1100 ODU works with a cam-type adjustment. The Technician will use each version either during installation or during a service call. Therefore, the Technician needs to know how to use all adjustment types:

- Ongoing installations use the 2009 ODU and the VS1100 adjustment

- For current installations and re-adjustment on Service Order repair, the technician may see the 2005 ODU adjustment.

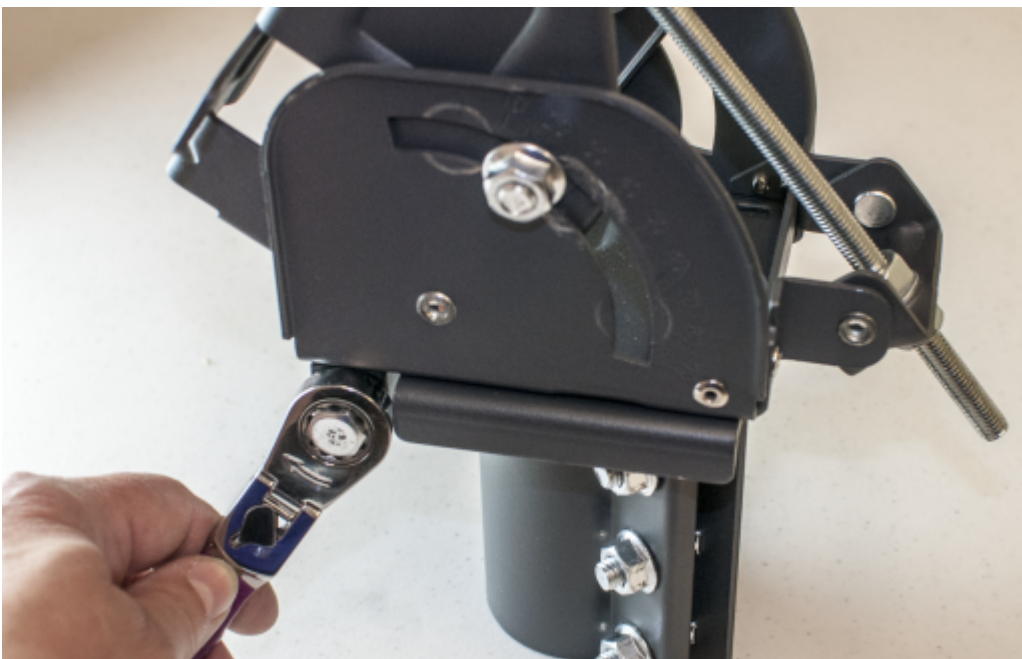
AZ/EL

Description

VS1200/1300 AZ/EL

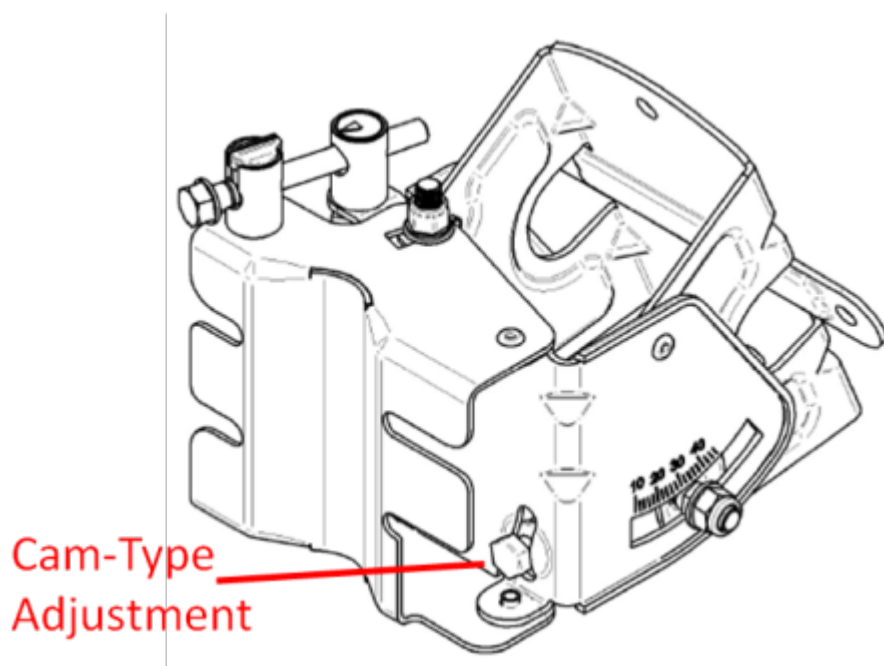
The VS1300 AZ/EL adjusts with a plate type adjustment, found at the front. It has a physical stop so that it cannot be over tightened.

This AZ/EL also has a 'Zero Gauge' that insures proper centering before aligning the antenna.



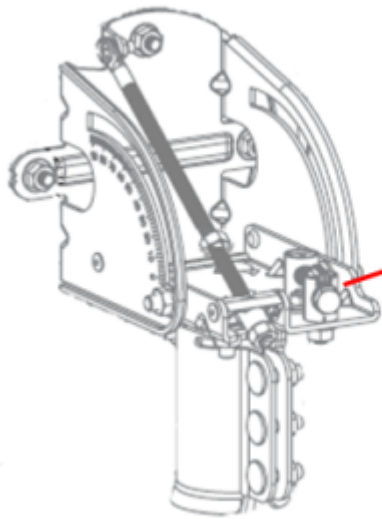
VS1101 AZ/EL

The VS1101 version of AZ/EL adjusts with a cam allowing for horizontal movement and also allows for mounting at mid-pole level hence the inclusion of the back bracket view with this version.



AZ/EL VS 1100

The VS 1100 version of the AZ/EL: adjusts with a cam allowing for horizontal movement.



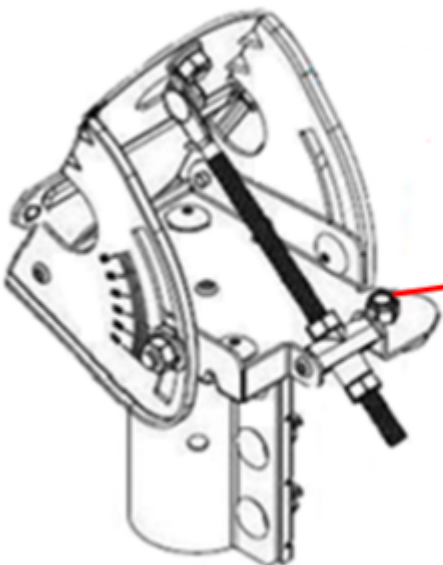
Cam-type
Adjustment

AZ/EL

Description

2009 AZ/EL

The 2009 version of the AZ/EL: adjusts with a cam allowing for horizontal movement.



Cam-type
Adjustment

2005 AZ/EL

The 2005 version of the AZ/EL adjusts horizontally via a plate that allows the Antenna to move laterally.

