

Viasat Products Manual – ODU

Summary

The following information discusses the Viasat components used in providing Internet service.

This Job Aid covers:

[Outdoor Unit](#)

This job aid supports all audiences.

Outdoor Unit

The Outdoor Unit (ODU) is located outside the customer's home or facility.

The Ka Antenna receives and transmits the Radio Frequency (RF) signals from and to the satellite, while supporting the connections to the Indoor Unit (IDU) via Transmit and Receive cables.

ODU Versions

There are four versions of the ODU Unit:

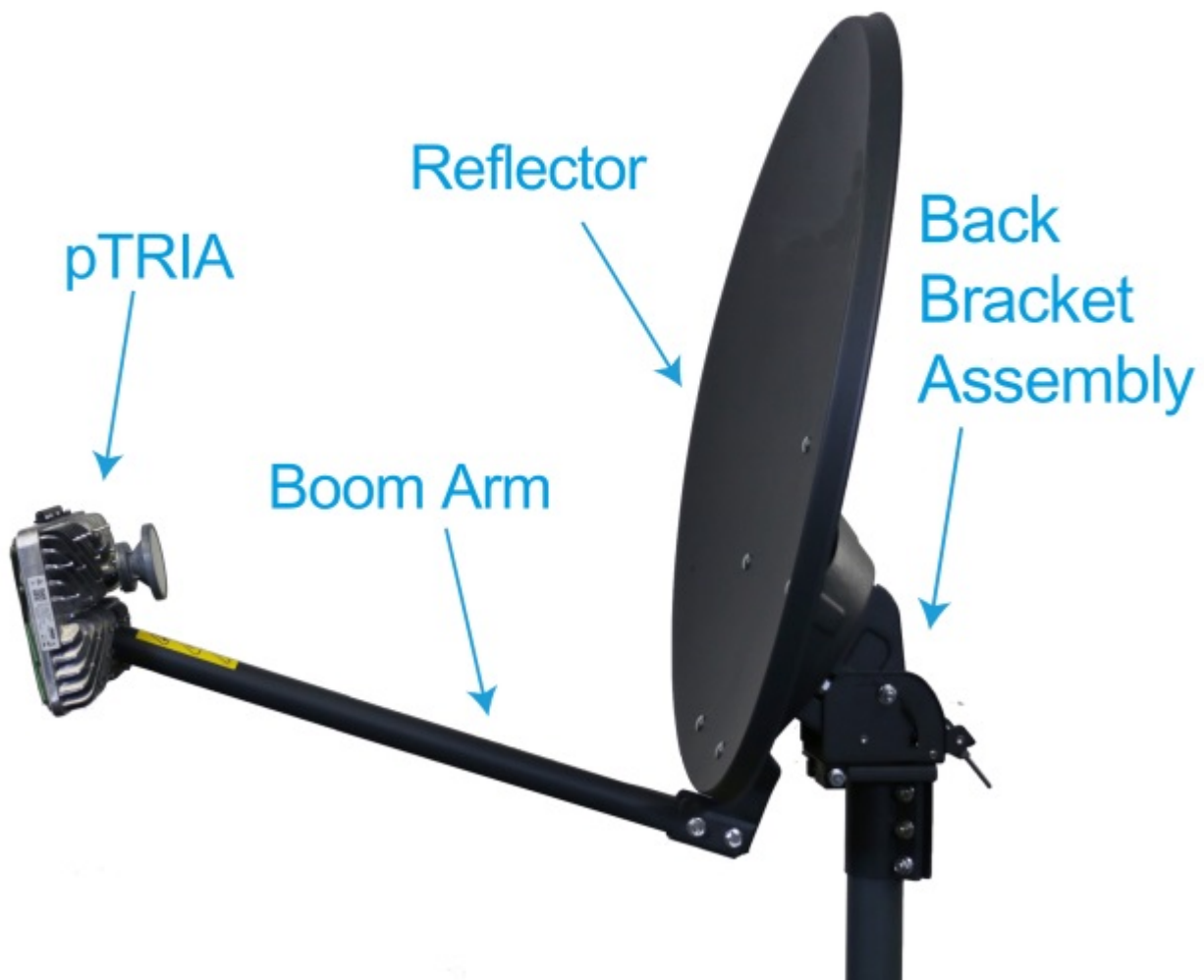
- **Viasat**
 - **VS1300 with pTRIA**
- **Exede**
 - **VS1300**
 - **VS1200**

Exede-VS1300

The VS1300 has the same components to the previous models, but with additional design enhancements. For example:

- The single boom arm is shorter, more narrow, and will allow the TRIA cables to be threaded inside the arm
- The new pTRIA does not require a bracket. The boom arm attaches directly to the base of the pTRIA unit

The back bracket assembly is stronger, will last longer, and will reduce thinning of the material over time

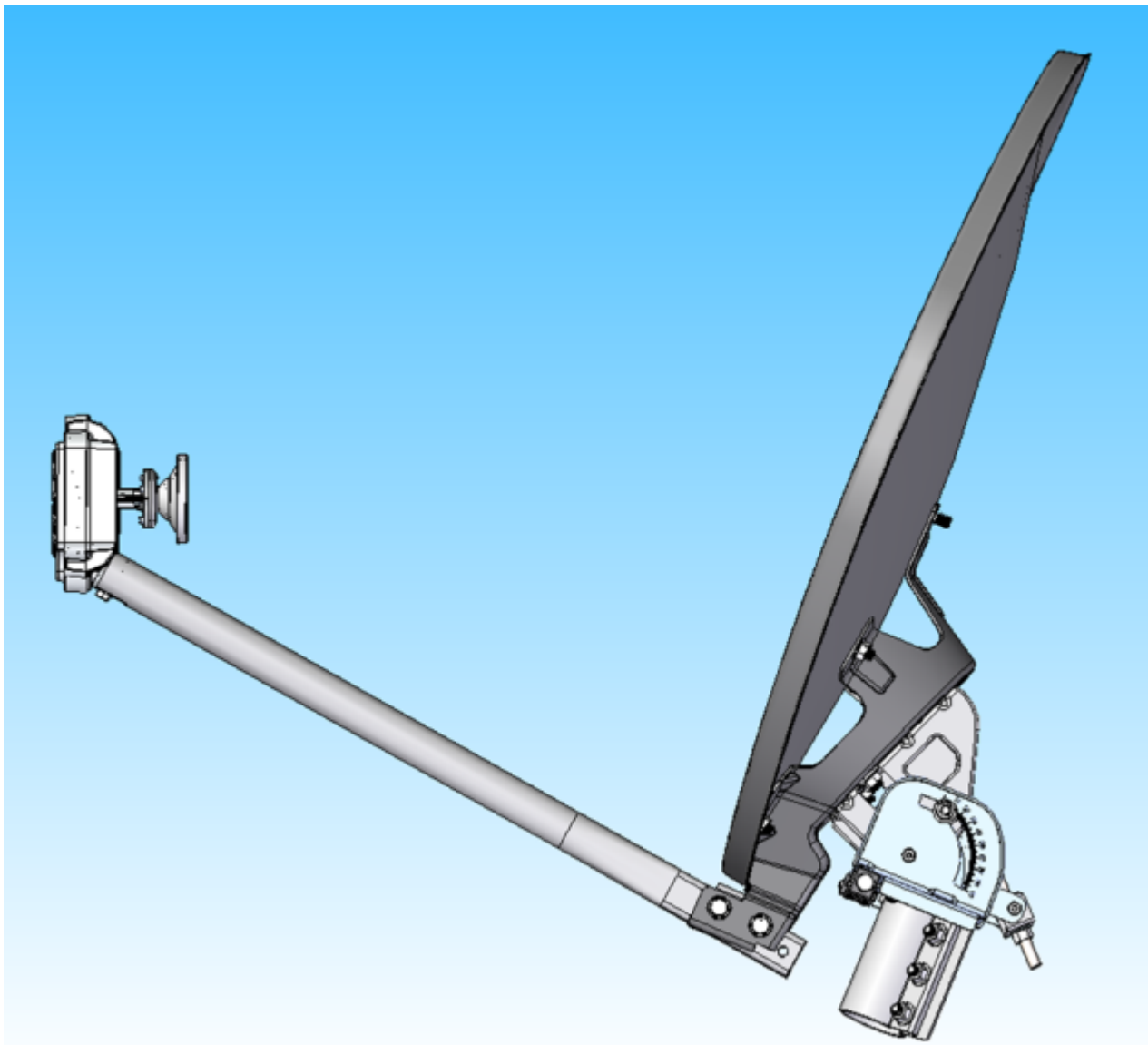


Exede-VS1200/VS1300

The VS1300 has the same components to the previous models, but with additional design enhancements. For example:

- The single boom arm is shorter, more narrow, and will allow the TRIA cables to be threaded inside the arm
- The new eTRIA is lighter, smaller, and does not require a bracket. The boom arm attaches directly to the base of the eTRIA unit

The back bracket assembly is stronger, will last longer, and will reduce thinning of the material over time



v2-20252503