

Tech Bulletin: New S-Tube Approved Mounting Surface

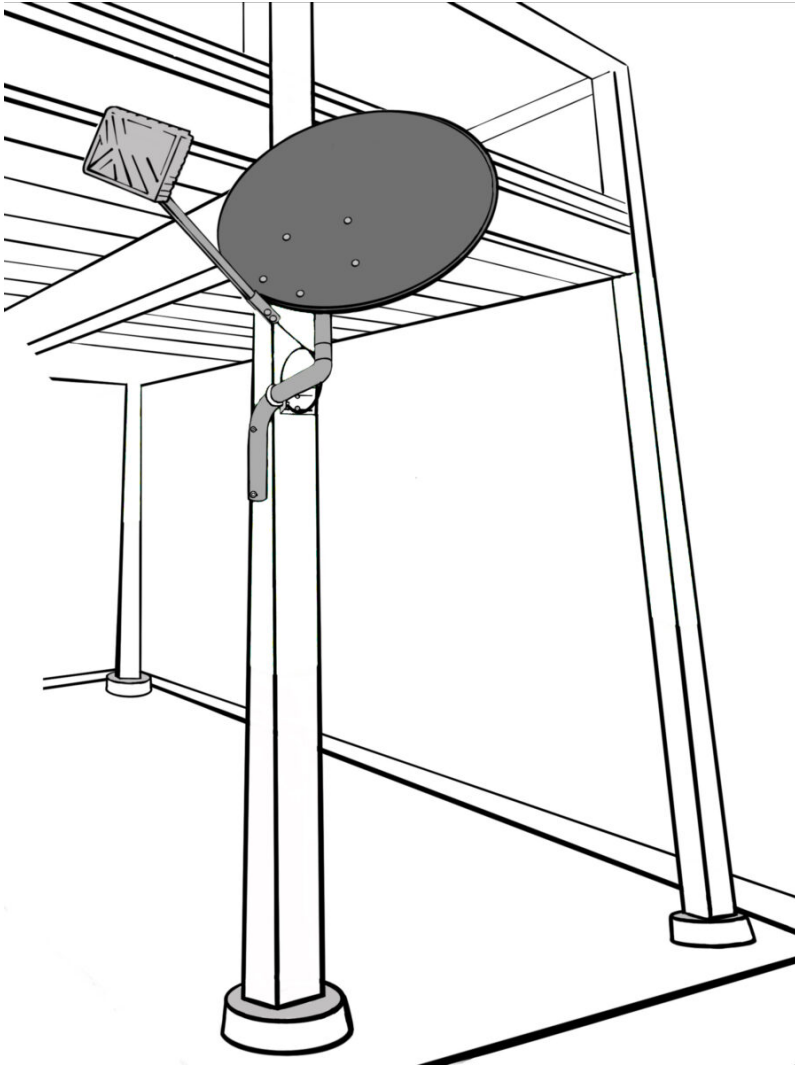


New S-Tube Approved Mounting Surface

Hello,

Good news! You spoke, we listened.

Viasat is excited to announce a new approved mounting surface – the S-tube mount on a wood post that meets Viasat's requirements.



Requirements:

- S-tube mount only
- Exposed 4"x4" or larger wood deck post
- Wood post must be anchored at the **top** and the **bottom**
- Must meet the 4-foot minimum height requirement
- Photo must include the top and the bottom of the post

Prohibited Mounting Options:

- **Fencing and fence posts**
- Railing and caps
- Walkways, stairs, or gates
- Fascia boards and other manufactured materials
- Any mount other than an S-tube
- Free standing posts
- Pergolas

For more information on this new mounting option, please refer to the [job aid in the eGuide](#) or to the training in [Viasat Discover](#).